

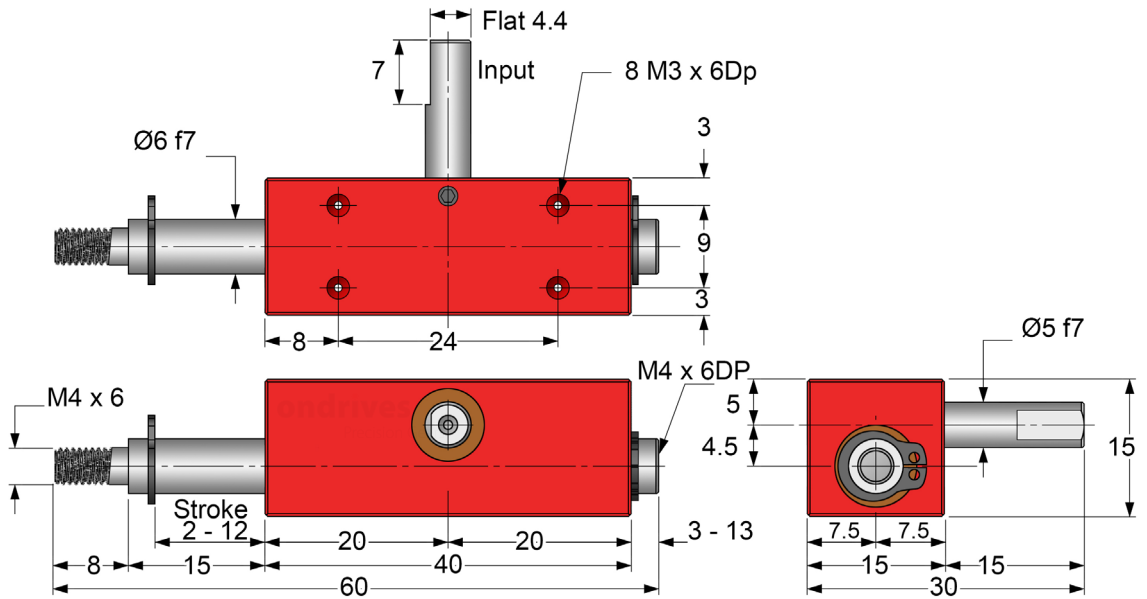
Rack Pinion Actuator 10mm Stroke

5mm Input Shaft • 6mm Output Shaft • Capacity 7.5kgf

Actuator

When input shaft is rotated this is translated into linear movement of the rack up to its stroke range.

Ondrives are able to manufacture the RPA style with different strokes by RFQ.



| Part Numbers | | | | | |
|-------------------|--------------|-----------------|--------------------|---------------------------|----------------------------|
| Output Backlash j | Input Torque | Stroke Movement | Load Capacity Max. | 1mm Travel Input Rotation | 10mm Stroke Input Rotation |
| ≤2° | Nm | mm | kgf | ° | ° |
| RPA6-10 | 0.24 | 10 | 7.5 | 19.10 | 191 |

Weight: ?? kg.

Lubrication: Grease Shell Gadus S5 V42P 2.5

Testing in your application is necessary.
You will need to assess duty cycles and confirm suitability with your own calculations.
Figures listed are for guidance only.