

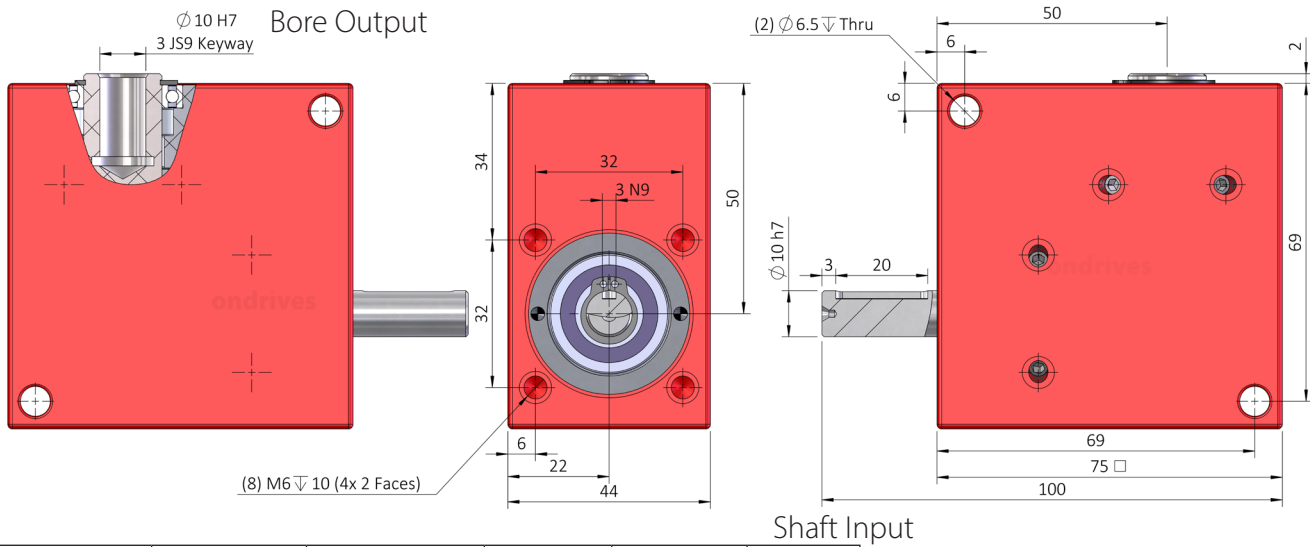
BLHO40

# ondrives

Precision Gears

## Spiral Bevel Gearboxes

10mm Input Shaft • 10mm Single Output Bore •  $T_{2n}$  4.0-5.1Nm **1:1 - 2:1**



	Part Numbers				
Output Backlash j	Output Backlash j A	Output Backlash j AR	Gear Ratio i	Efficiency $\eta_z$	Reflected Inertia at Input
$\leq 0.75^\circ$	$\leq 0.50^\circ$	$\leq 0.166^\circ$		<b>n1nom</b>	<b>kg·m<sup>2</sup></b>
BLHI40-1	BLHI40-1A	BLHI40-1AR	1:1	88%	$6.43 \times 10^{-6}$
BLHO40-2	BLHO40-2A	BLHO40-2AR	2:1	88%	$1.40 \times 10^{-6}$

1:1 Ratio Bore can be used as an input or output.

**Weight:** 0.9kg.

**Nom. Input Speed [S5  $T_{2n}$  n1nom]:** 1,000 min<sup>-1</sup> (r/min)

**Max. Input Speed n1max:** 3,000 min<sup>-1</sup> (r/min)

**Lubrication:** Grease Shell Gadus S2 V220AD 2

**Lubrication Temperature:** Max. Operating  $\approx 60^\circ\text{C}$

**Max. Input Radial Load  $F_{r1}$ :** 60N.

**Max. Output Radial Load  $F_{r2}$ :** 60N.

**Max. Input Axial Load  $F_{a1}$ :** 50N.

**Max. Output Axial Load  $F_{a2}$ :** 50N.

Testing in your application is necessary.

You will need to assess duty cycles and confirm suitability with your own calculations.

Figures listed are for guidance only.

Cooling may be needed dependent on application.

**ondrives**  
Precision Gears

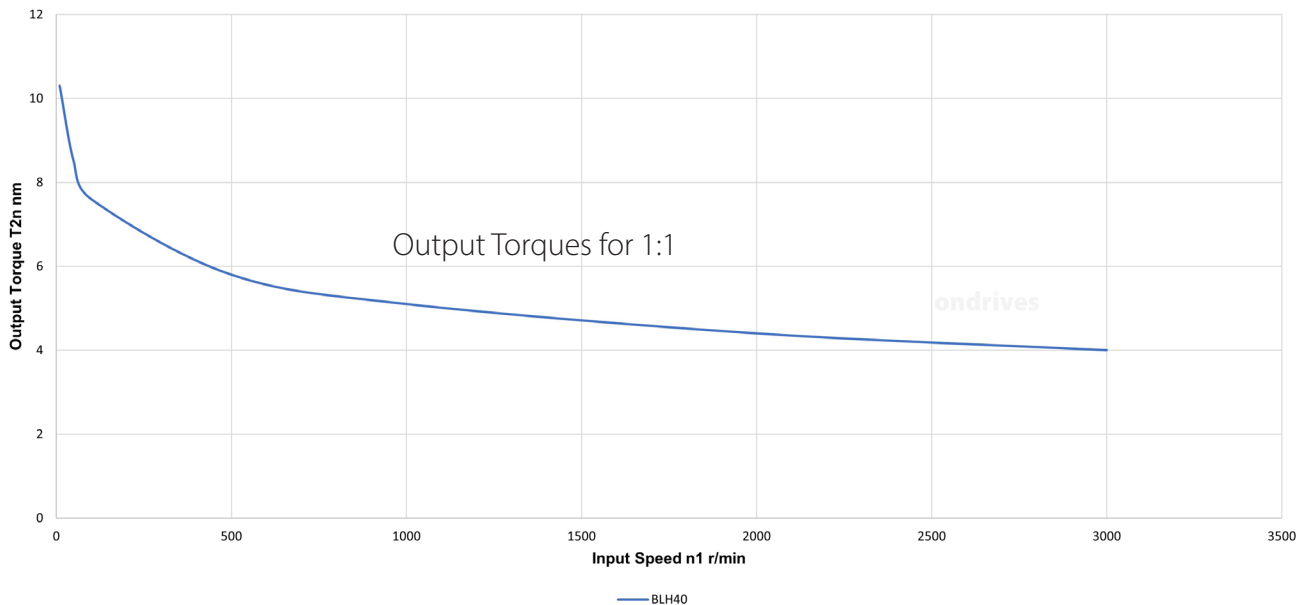
T: +44 1246 455500  
 sales@ondrives.com www.ondrives.com  
 Updated March 2024 subject to change for use as a guide only.

Spiral Bevel Gearbox

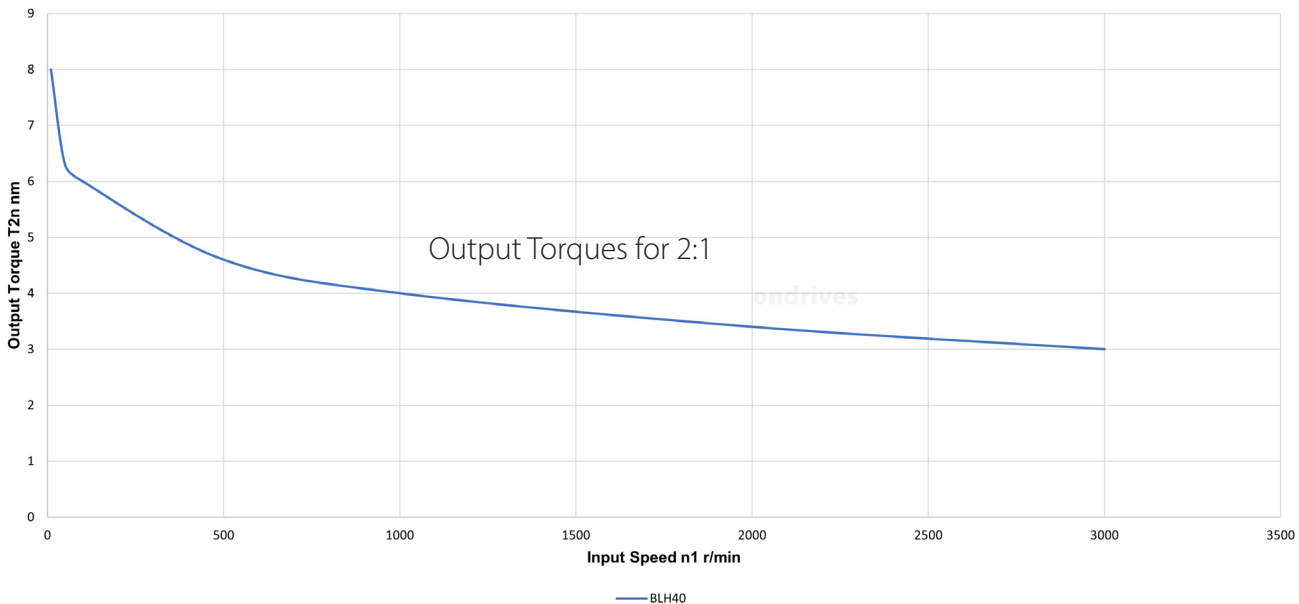
### Spiral Bevel Gearboxes

10mm Input Shaft • 10mm Single Output Bore •  $T_{2n}$  4.0-5.1Nm **1:1 - 2:1**

BLH Series Spiral Bevel Gearbox



BLH Series Spiral Bevel Gearbox



Spiral Bevel Gearbox